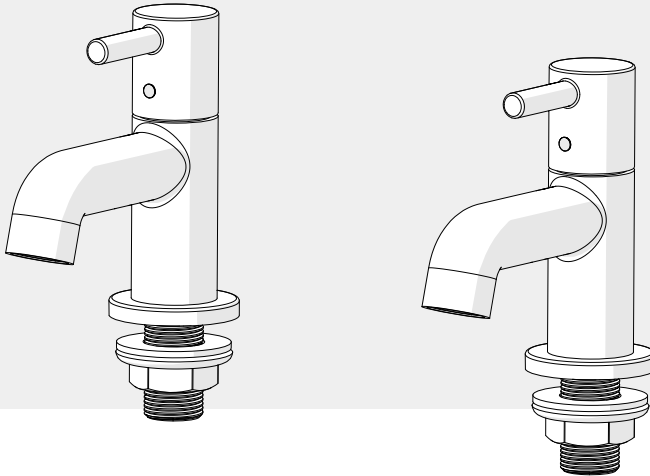




AKW Peg Lever Basin Taps

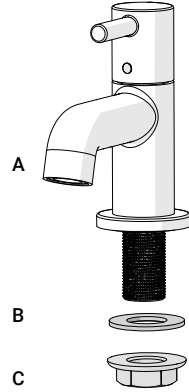
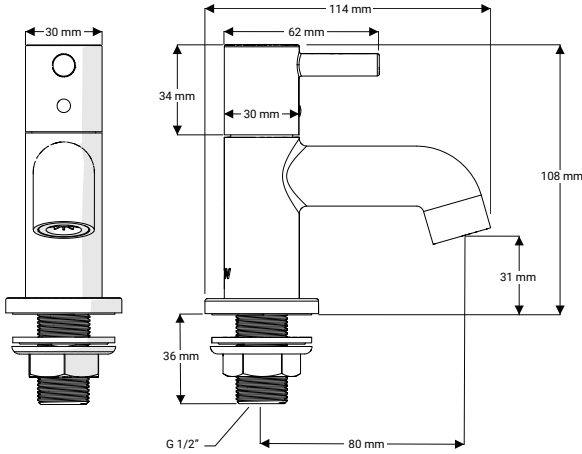
INSTALLATION INSTRUCTIONS



Please read all instructions before installation and leave this document with the end user for future reference as it contains important warranty information

Important Information

Dimensions and Parts



Ref	Description	Qty
A	Tap	2
B	Washer	2
C	Nut	2

Flow rate for tap

Tap Flow Performance Tap Flow Rate (without Flow Limiter)			
Dynamic pressure	1 bar	3 bar	5 bar
Full cold/hot water	15.7 L/min	28 L/min	37.7 L/min



These taps are suitable for low and high pressure systems. These taps should not be used with pressures exceeding 5 Bar. Min Pressure 0.2bar.

If the mains pressure is over 5bar, then a pressure reducing valve should be fitted. If the taps or mixers are installed to low pressure (tank fed), then the minimum height from the outlet of the nozzle to the underside of the cold tank should be 1.8 metres to ensure adequate performance.

Important: Access must be made available to the water supplies and fixings for future maintenance and servicing. Isolation valves must be fitted. Ensure that all parts are present and that you have the suitable tools and connections before installation. Flexi-hoses are not supplied.

- 1 Ensure that the base O ring seals are in place before installing the taps into position.
- 2 Whilst holding the tap in place, screw the nut and washer onto the tap tail and tighten. Do not over-tighten as this may damage the mounting surface.
- 3 Connect the hot and cold water supplies. Open the isolating valves and check for leaks.

Commissioning: Turn the cold tap on. Allow a few minutes of running to flush the system and then repeat for the hot water. Then turn off.

Cleaning and Care

Taps should be cleaned as part of a planned maintenance programme. Do not use abrasive cleaning chemicals or scouring cloths as this will effect the surface finish. Always flush cleaning materials away with copious amounts of water and wipe down to dry.

Contact

AKW
Life Made Better

Orders & Quotes

01905 823 299
orders@akw-ltd.co.uk

General Enquiries

01905 823 298
sales@akw-ltd.co.uk

Technical Enquiries

01905 560 219
tech@akw-ltd.co.uk

Kitchen Enquiries

01905 823 262
kitchens@akw-ltd.co.uk

Fax

01905 823 297

AKW

Pointon Way, Hampton Lovett
Droitwich Spa, WR9 0LR

www.akw-ltd.co.uk
orders.akw-ltd.co.uk

Follow us on Social:



Warranty

Warranty applies only to manufacturing or material defects, conditional on the one-time correct installation of the product. It does not apply to:

- Inappropriate use or accidental damage.
- Damage or defects that result from incorrect installation.
- Lack of maintenance including the build up of grime or damage resulting from inappropriate cleaning.
- Damage or defects that result from repairs or modifications undertaken by unauthorised persons.
- General wear and tear through usage and does not apply to surface finishes.

Warranty period starts from the date of installation. See the T&Cs on our website for further information.

Select 1 of 2 ways to activate your warranty



1. Scan using your Smart Device



2. Visit Online

akw-ltd.co.uk/warranty-information

What to do if something goes wrong?

In the event that you encounter a problem with this product, follow the trouble shooting guide if applicable, then contact your local installer. If the issue is still unresolved, contact AKW Technical Enquiries who will provide further advice and arrange for a maintenance engineer to visit if necessary. None of the foregoing affects your statutory rights.